

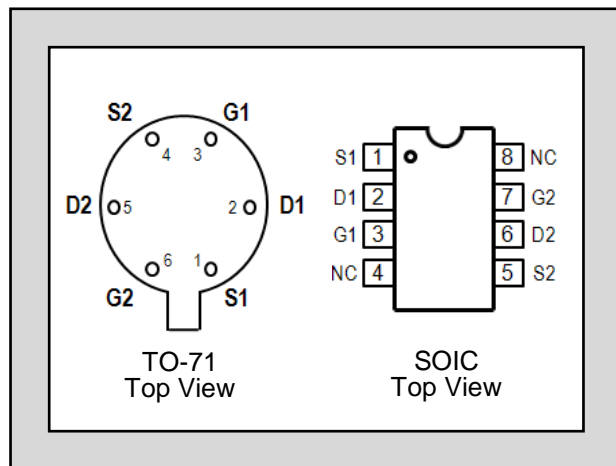
LINEAR SYSTEMS

Improved Standard Products®

SST/U401 – SST/U406

LOW NOISE LOW DRIFT
MONOLITHIC DUAL N-CHANNEL
JFET AMPLIFIER

FEATURES		
LOW DRIFT	$ V_{GS1-2}/T = 10\mu V/^{\circ}C$ TYP.	
LOW NOISE	$e_n = 6nV/Hz @ 10Hz$ TYP.	
LOW PINCHOFF	$V_P = 2.5V$ MAX.	
ABSOLUTE MAXIMUM RATINGS NOTE 1		
@ 25 °C (unless otherwise noted)		
Maximum Temperatures		
Storage Temperature	-55 to +150°C	
Operating Junction Temperature	-55 to +150°C	
Maximum Voltage and Current for Each Transistor NOTE 1		
-V _{GSS}	Gate Voltage to Drain or Source	50V
-V _{DSO}	Drain to Source Voltage	50V
-I _{G(f)}	Gate Forward Current	10mA
Maximum Power Dissipation per side NOTE 2		
Device Dissipation TA = 25°C		300mW



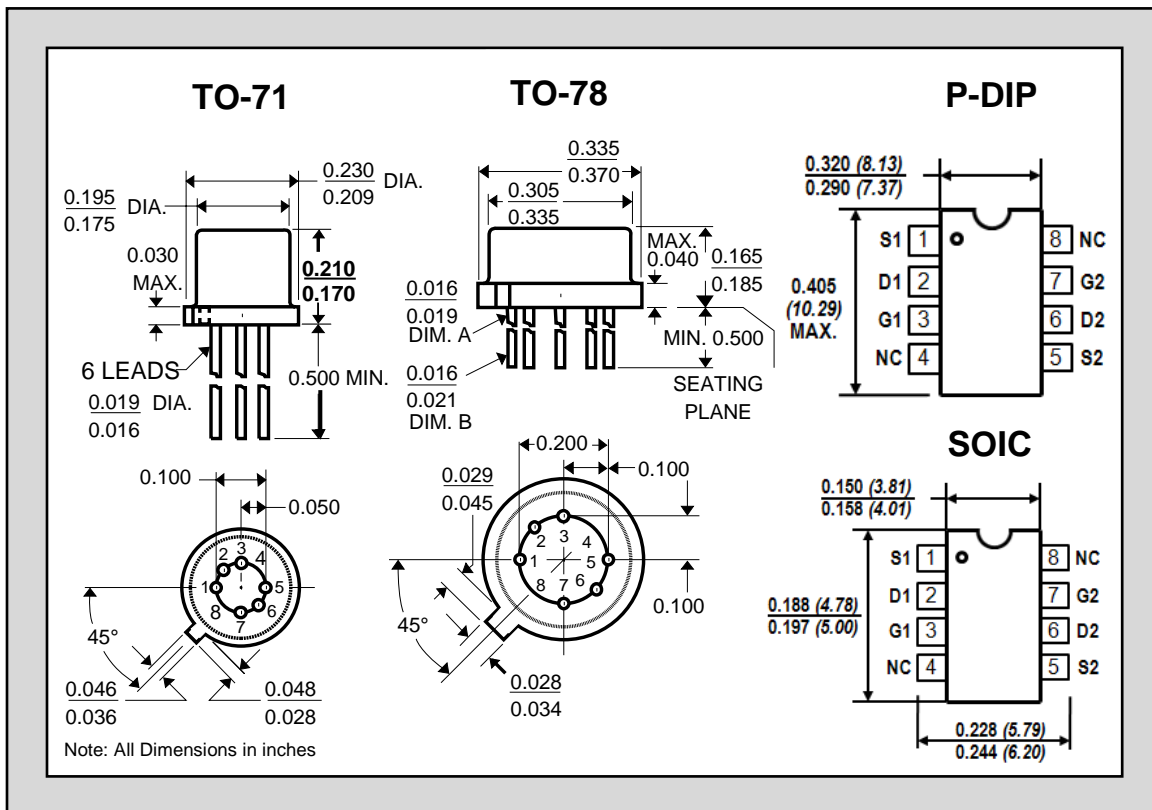
MATCHING CHARACTERISTICS @ 25°C (unless otherwise noted)

SYMBOL	CHARACTERISTIC	U401	U402	U403	U404	U405	U406	UNITS	CONDITIONS
$ V_{GS1-2}/T $ max.	Drift vs. Temperature	10	10	25	25	40	80	$\mu V/^{\circ}C$	$V_{DG} = 10V, I_D = 200\mu A$ $T_A = -55^{\circ}C$ to $+125^{\circ}C$
$ V_{GS1-2} $ max.	Offset Voltage	5	10	10	15	20	40	mV	$V_{DG} = 10V, I_D = 200\mu A$

ELECTRICAL CHARACTERISTICS TA = 25°C (unless otherwise noted) NOTE 3

SYMBOL	CHARACTERISTIC	MIN.	TYP.	MAX.	UNITS	CONDITIONS
BV _{GSS}	Breakdown Voltage	-50	-60	--	V	$V_{DS} = 0, I_D = 1nA$
BV _{G1G2}	Gate-to-Gate Breakdown	± 50	--	--	V	$I_G = \pm 1\mu A, I_D = 0, I_S = 0$
G _{fss}	TRANSCONDUCTANCE					
	Full Conduction	2000	--	7000	μS	$V_{DG} = 10V, V_{GS} = 0, f = 1kHz$
G _{fs}	Typical Operation	1000	--	2000	μS	$V_{DG} = 15V, I_D = 200\mu A, f = 1kHz$
$ G_{fs1}/G_{fs2} $	Mismatch	0.97	--	1.0		
I _{DSS}	Saturation Drain Current	0.5	--	10	mA	$V_{DG} = 10V, V_{GS} = 0$
I_{DSS1}/I_{DSS2}	Saturation Current Ratio	0.9	0.98	1.0		
V _{GS(off)} or V _P	GATE VOLTAGE					
	Pinchoff Voltage	-0.5	--	-2.5	V	$V_{DS} = 15V, I_D = 1nA$
V _{GS}	Operating Range	--	--	-2.3	V	$V_{DS} = 15V, I_D = 200\mu A$
I _G	GATE CURRENT					
	Operating	--	-4	-15	pA	$V_{DG} = 15V, I_D = 200\mu A$
I _G	High Temperature	--	--	-10	nA	$T_A = +125^{\circ}C$
I _{GSS}	Gate Reverse Current	--	--	-100	pA	$V_{GS} = -30V, V_{DS} = 0V$
I _{G1G2}	Gate to Gate Isolation Current	--	--	± 1.0	μA	$V_{G1} - V_{G2} = \pm 50V, I_D = I_S = 0$

SYMBOL	CHARACTERISTIC	MIN.	TYP.	MAX.	UNITS	CONDITIONS
<u>OUTPUT CONDUCTANCE</u>						
G _{oss}	Full Conduction	--	--	40	μS	V _{DS} = 10V, V _{GS} = 0V, f = 1kHz
G _{os}	Operating	--	2	2.7	μS	V _{DS} = 15V, I _D = 200μA, f = 1kHz
<u>COMMON MODE REJECTION</u>						
CMRR	$-20 \log [(V_{GS1}-V_{GS2})/\Delta V_{DG1-2}]$	95	--	--	dB	V _{DG1} = 10V V _{DG2} = 20V I _{D1} = I _{D2} =200μA
<u>NOISE</u>						
NF	Figure	--	--	0.5	dB	V _{DS} = 15V V _{GS} = 0 R _G =10M f= 100Hz NBW= 6Hz
e _n	Voltage	--	6	20	nV/Hz	V _{DS} = 15V I _D = 200μA f= 10Hz NBW= 1Hz
<u>CAPACITANCE</u>						
C _{ISS}	Input	--	4	8	pF	V _{DS} = 15V I _D = 200μA f= 1MHz
C _{RSS}	Reverse Transfer	--	1.5	3	pF	



NOTES:

1. These ratings are limiting values above which the serviceability of any semiconductor may be impaired.
2. Derate 2.4mW/°C when TA is greater than 25°C
3. All MIN/TYP/MAX limits are absolute numbers. Negative signs indicate electrical polarity only.

Information furnished by Linear Integrated Systems is believed to be accurate and reliable. However, no responsibility is assumed for its use; nor for any infringement of patents or other rights of third parties which may result from its use. No license is granted by implication or otherwise under any patent or patent rights of Linear Integrated Systems.

Linear Integrated Systems develops and produces the highest performance semiconductors of their kind in the industry. Linear Systems, founded in 1987, uses patented and proprietary processes and designs to create its high performance discrete semiconductors. Expertise brought to the company is based on processes and products developed at Amelco, Union Carbide, Intersil and Micro Power Systems by company founder John H. Hall.